



FIRESTOP CENTRE

Authorised New Zealand Distributor
Ph (09) 483 4000 www.firestopcentre.co.nz

AGNI-Wrap in 2 x 13mm Plasterboard Wall or 116mm Concrete Wall PVC-U Pipe up to 100mm diam FRR -/120/120

System ID# FC856

Step-by-step installation instructions:

1. Ensure the aperture is free from dust and debris.
2. Cut the necessary length of AGNI-Wrap 50.
3. Apply one or two layers of AGNI-Wrap 50 according to the PVC-U pipe diameter:
From 32mm up to 50mm diameter - single layer
Above 50mm up to 100mm diameter - double layer
4. Apply the AGNI-Wrap 50 around the pipe with no overlap and insert into the annular space leaving 10mm extending outside the wall.
5. Apply a bead of AGNI-Seal (5mm nominal) between the wall and AGNI-Wrap 50.
6. Fill any gap between AGNI-Wrap 50 and the pipe with AGNI-Seal, finished flush with the edge of AGNI-Wrap 50.



NOTE: For 100mm diameter pipe, the double layer AGNI-Wrap 50 may be replaced with a single layer of AGNI-Sleeve 136mm long (extending 10mm beyond the wall on both sides). Apply AGNI-Seal as above.

Technical Information

Substrate	<ul style="list-style-type: none"> • Min. 64mm steel / timber stud wall with a minimum of two layers of 13mm (or greater) FR plasterboard on each side, with or without insulation. • Min. 116mm concrete wall/masonry wall/block wall
Service range	DN 32mm up to 100mm PVC-U pipe
Annular gap	5 - 12mm
AGNI-Products	AGNI-Sleeve, AGNI-Wrap 50, AGNI-Seal
Protection installation	Both sides of the wall

Compliance Information

Standards	AS1530.4-2014, AS4072.1-2005
FRR/FRL	-/120/120
Reference	RIRF24081, RIRF24100 AP-097



8 Clare St Bayswater
VIC 3153, AUSTRALIA
www.agnitek.com.au

Disclaimer

Agnitek reserves the right to modify product specifications without prior notice due to its ongoing research, development & certification programme. The information in this document is provided in good faith and is intended for guidance purposes only. Any accompanying drawings are solely for illustrative purposes. Since Agnitek cannot oversee installation methods or ensure site conditions, no warranties, expressed or implied, are intended regarding the products' actual performance. We do not accept liability for any loss, damage, or injury from using this information. Please take a look at the test reports displayed on a relevant AGNI-System webpage for all compliance specifics.

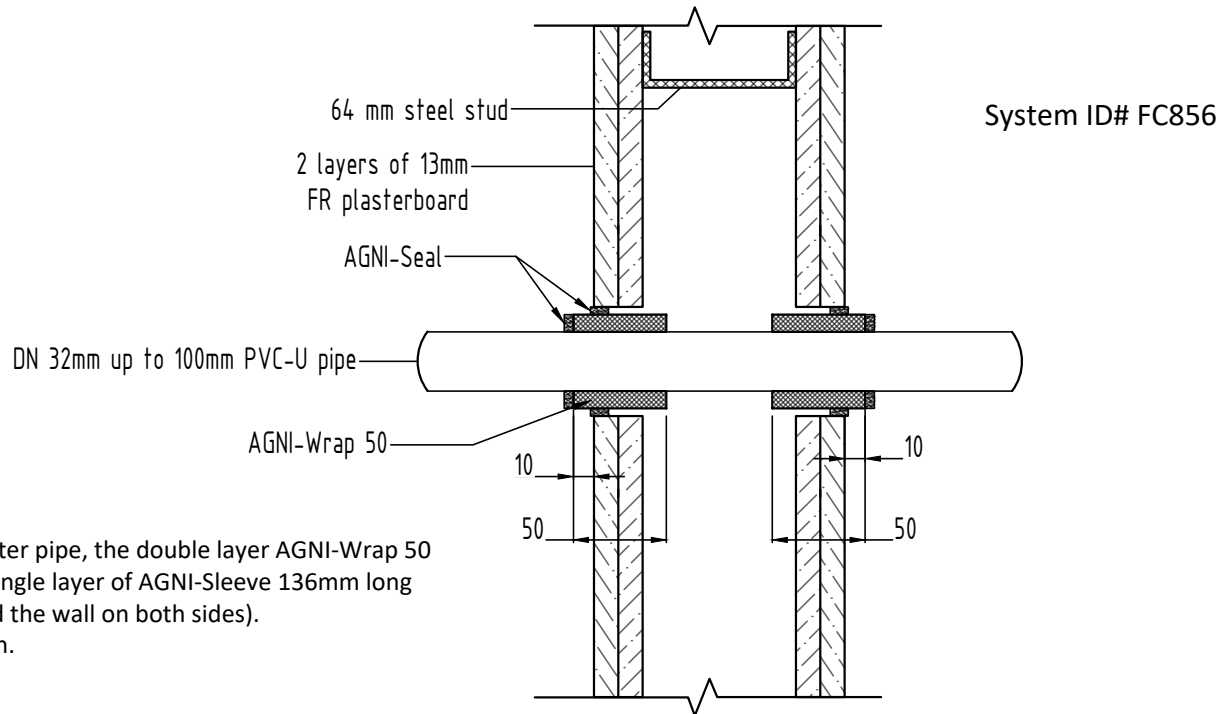
Date | 20.06.2024



FIRESTOP CENTRE

Authorised New Zealand Distributor
Ph (09) 483 4000 www.firestopcentre.co.nz

AGNI-Wrap in 2 x 13mm Plasterboard Wall or 116mm Concrete Wall PVC-U Pipe up to 100mm diam FRR -/120/120



NOTE: For 100mm diameter pipe, the double layer AGNI-Wrap 50 may be replaced with a single layer of AGNI-Sleeve 136mm long (extending 10mm beyond the wall on both sides).
Apply AGNI-Seal as shown.

Technical Information

Substrate	<ul style="list-style-type: none"> Min. 64mm steel / timber stud wall with a minimum of two layers of 13mm (or greater) FR plasterboard on each side, with or without insulation. Min. 116mm concrete wall/masonry wall/block wall
Service range	DN 32mm up to 100mm PVC-U pipe
Annular gap	5 - 12mm
AGNI-Products	AGNI-Sleeve, AGNI-Wrap 50, AGNI-Seal
Protection installation	Both sides of the wall

Compliance Information

Standards	AS1530.4-2014, AS4072.1-2005
FRR/FRL	-/120/120
Reference	RIRF24081, RIRF24100 AP-097



8 Clare St Bayswater
VIC 3153, AUSTRALIA
www.agnitek.com.au

Disclaimer
Agnitek reserves the right to modify product specifications without prior notice due to its ongoing research, development & certification programme. The information in this document is provided in good faith and is intended for guidance purposes only. Any accompanying drawings are solely for illustrative purposes. Since Agnitek cannot oversee installation methods or ensure site conditions, no warranties, expressed or implied, are intended regarding the products' actual performance. We do not accept liability for any loss, damage, or injury from using this information. Please take a look at the test reports displayed on a relevant AGNI-System webpage for all compliance specifics.

Date | 20.06.2024